

THIS DRAWING IS UNPUBLISHED. RELEASED FOR PUBLICATION ,19 .
 © COPYRIGHT 19 BY AMP INCORPORATED. ALL INTERNATIONAL RIGHTS RESERVED.

LOC	DIST	P	F	REVISIONS				
				ZONE	LTR	DESCRIPTION	DATE	APPD
BD	48				G	REV PER ECN BD4493	12/19/90	-
					H	REVISED PER ECN BD6133	04/02/92	TMS
					J	ADDED -4 PER NPR 4258	07/09/92	SB
					K	OBS -4 PER 0420-143-96	10 NOV 97	SB

FERRULE
 (MUST BE PURCHASED SEPARATELY AS REQD BY CABLE DIA)

EXPANDING NECK ACCOMMODATES CABLE FROM .338-.562 DIA

.125 MAX

#4-40 JACKSCREW
 QTY: 2

SHIELD
 QTY: 2

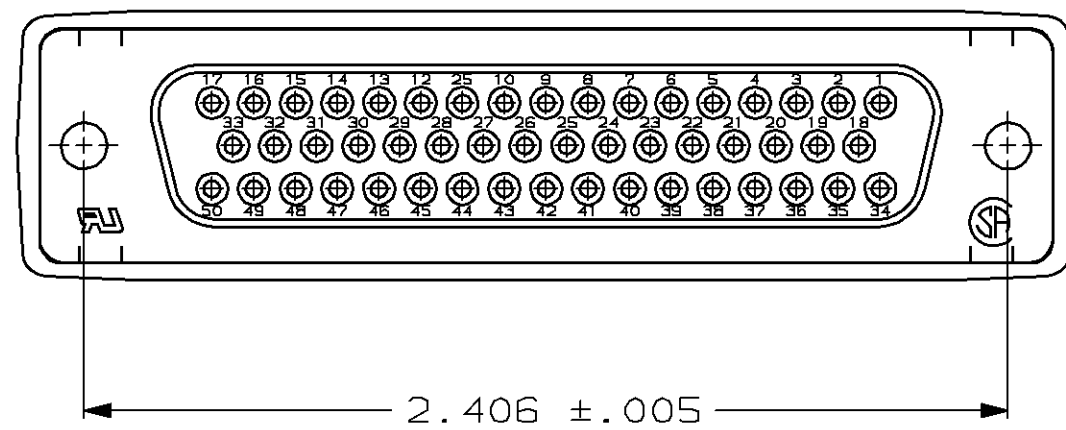
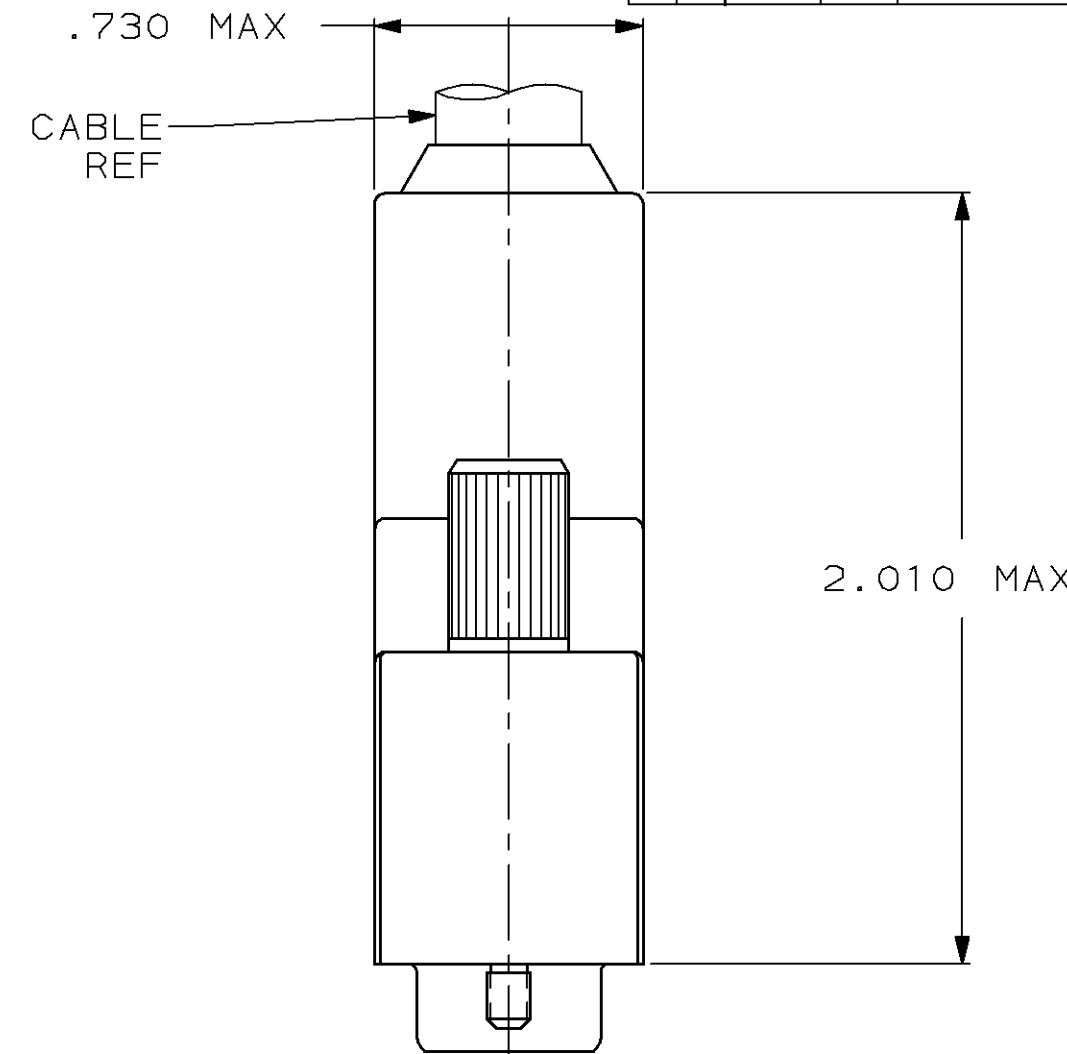
ENCLOSURE

1.467 TYP

.812 TYP

2.775 MAX

HDP-20 RCPT CONNECTOR



- ① RCPT ACCEPTS SIZE 20 DF SOCKET CONTACTS. CONTACTS MUST BE PURCHASED SEPARATELY.
- 2. ALL PARTS SHIPPED UNASSEMBLED.
- ③ FLAME RETARDANT 94V-0 RATED, STYRENE POLYOLEFIN OR PVC, BLACK.
- ④ FLAME RETARDANT 94V-0 RATED GLASS FILLED, NYLON OR POLYESTER, BLACK.
- ⑤ STEEL PER ASTM A109.
- ⑥ TIN PLATING PER MIL-T-10727.
- ⑦ ZINC PLATING PER ASTM B633, TYPE II, CLASS SCI, BLACK CHROMATE.
- ⑧ COMPONENTS INDIVIDUALLY BULK PACKED.
- ⑨ INDIVIDUAL KIT PACKAGING OF COMPONENTS.
- ⑩ SEE RESTRICTED CUSTOMER DRAWING 747959-4.

OBSOLETE	⑩		⑩
OBSOLETE	⑨	W/LOGO	747959-3
OBSOLETE	⑧	W/OUT LOGO	747959-2
	⑧	W/LOGO	747959-1
		PACKAGING	REMARKS
			PART NUMBER

DO NOT SCALE PRINT. UNLESS SPECIFIED DIMENSIONS IN INCHES TOLERANCES ON : 2 PLC DEC ± - 3 PLC DEC ± .020 ANGLES ± -	DR 6/5/90 A.STAUB BG CHK 8-31-90 J.McCLINTON APPD 9-4-90 BOB TAYLOR APPD 9-4-90 J.ASSINI PRODUCT SPEC -	AMP INCORPORATED Harrisburg, Pa. 17105	
MATERIAL INSERT: ④ SHELLS & SHIELDS: ⑤ JACKSCREWS: ZINC ALLOY	FINISH SHELLS & SHIELDS: ⑥ JACKSCREWS: ⑦	NAME BULK KIT, RCPT, AMPLIMIT™, SHIELDING ENCLOSURE, 50 POSN, SIZE 5, HDP-20	
	APPLICATION SPEC -	SIZE C	FSCM NO 00779
	WEIGHT -	SCALE 2:1	DRAWING NO 747959
			SHEET 1 OF 1